

H350P-H

**PILE WIND 350
350kg HAND OPERATED HOIST**



DESCRIPTION

The Jands H350P-H is a hand operated pile wind hoist featuring a 350kg nominal lifting capacity, provision for 6 x 5mm wire ropes and 15m of drift.

It is ideal for safe and positive load control of lighting or scenery battens and features an automatic load actuated brake.

The hoist can be mounted at high or low level and is ideal where a clew operation is impractical.

Reversible mounting brackets allow “toes-in” or “toes-out” mounting to match a wide variety of structural steels.

The Jands H350P-H is designed, built and tested to comply with the requirements for a serial hoist to AS1418.2:1997.

FEATURES

- Holds up to 6x wires
- Safe working load of 350 kg
- Automatic load actuated brake

OVERALL SPECIFICATIONS

Number of ropes	:	Up to 6
SWR type	:	5mm 6x19 steel core
Lifting capacity	:	350kg
Dimensions (mm)	:	440(W) x 452(H) x 405(D)
Net/Shipping weight	:	52/62 kg

ORDERING INFORMATION

MODEL/PART	PART NUMBER
Hand Operated Pile Wind Winch	JND-H350P-H



**PILE WIND 350
350KG HAND OPERATED HOIST**

H350P-H

TSS-JND-H350P-H-0602-04

Jands Pty Ltd 40 Kent Road Mascot NSW 2020 Australia
Phone +61 2 9582 0909 Fax +61 2 9582 0999 www.jands.com.au

H350P-H

**PILE WIND 350
350kg HAND OPERATED HOIST**



ARCHITECT & ENGINEER'S SPECIFICATION

The hoist shall consist of cast and machined aluminium plates designed to accommodate six (6) steel cored, 5mm steel wire ropes of 6 x 19 construction, and shall be of a diameter sufficient to accommodate 15m of wire rope plus 2 dead turns.

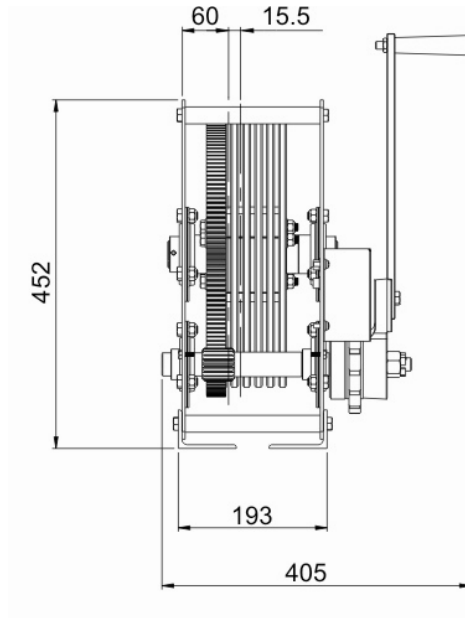
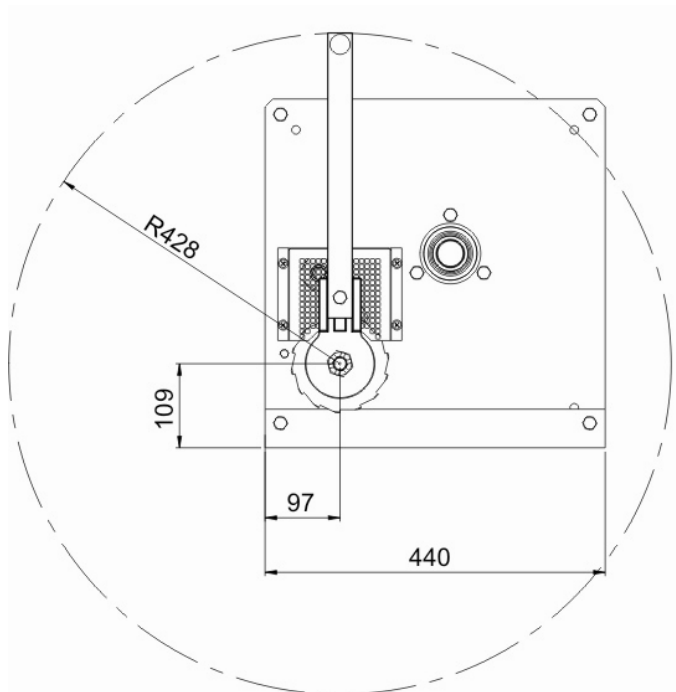
These aluminium plates shall be coupled by a keyed shaft to a hand operated geared lifting mechanism.

The hoist shall have a removable handle of 350mm length and shall not require more than 25 kilograms of effort to operate when fully laden.

The hoist shall have a lifting capacity of 350kg.

The hoist shall be designed, tested and built as a serial hoist in accordance to AS1418.2:1997

The hoist shall be the Jands H350P-H



**PILE WIND 350
350KG HAND OPERATED HOIST**

H350P-H

Jands Pty Ltd 40 Kent Road Mascot NSW 2020 Australia
Phone +61 2 9582 0909 Fax +61 2 9582 0999 www.jands.com.au