

# HR150 Pulleys

150mm RIGGING PULLEYS



## DESCRIPTION

The Jands HR150 Rigging Pulley system is a series of pulleys and sheaves for use in theatrical and other applications using 5mm steel wire rope.

The sheaves are machined from structural nylon and press fitted with sealed-for-life deep-groove ball bearings.

Shafts are 20mm solid steel.

Loft pulley sides are fabricated from 3mm cold rolled steel, with mounting flanges reinforced to 6mm.

Head pulley sides are fabricated from 5mm cold rolled steel.

HR150 pulleys are fitted with two (2) adjustable rope keepers.

All pulleys are finished in a durable black powder coat.

HR150 loft pulleys feature a pattern of holes and slots in the mounting flanges to permit fixing (with Jands MP457 snail clamps) to the majority of structural steel sections without drilling or modification to the loft pulley flange.

HR150 head pulleys are designed to bolt to a structural steel section which is attached with MP457 clamps to the structural head steels.

Loft pulleys have a Working Load Limit of 200kg.

Head pulleys have a Working Load Limit of (up to) 750kg  
(Depending on the design of the head steel attachment)

## FEATURES

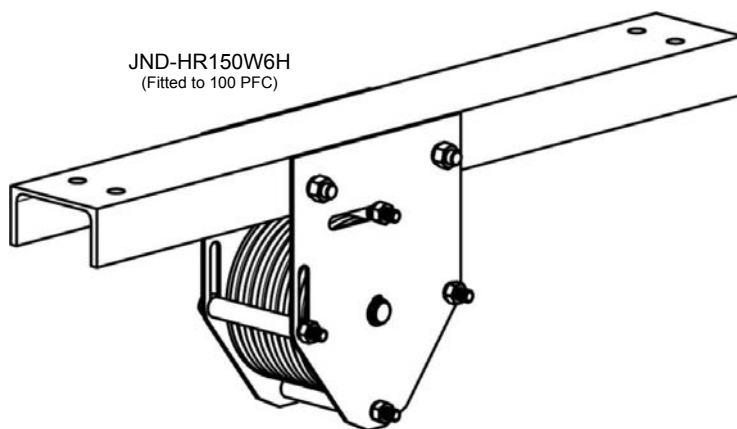
- Structural black nylon sheave
- Solid steel shaft
- Sealed bearings
- Reinforced mounting flanges (head pulleys)
- Adjustable rope keepers
- Universal mounting pattern requires no drilling
- Easy fixing using Jands MP457 snail clamps
- Working Load Limit of 200kg (lofts) & 750kg (heads)

## OVERALL SPECIFICATIONS

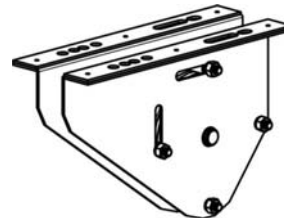
|                     |   |                           |
|---------------------|---|---------------------------|
| Sheave Diameter     | : | 150mm                     |
| Wire Rope Diameter  | : | 5mm                       |
| Shaft Diameter      | : | 20mm                      |
| Sheave Material     | : | Structural nylon          |
| Side Plates (Lofts) | : | 3mm cold rolled steel     |
| Side Plates (Heads) | : | 5mm cold rolled steel     |
| Mounting Flange     | : | 2 x 3mm cold rolled steel |
| Steel finish        | : | Powder coat black         |
| Sheave Colour       | : | Black                     |
| Working Load Limit  | : |                           |
| Loft Pulleys        | : | 200kg                     |
| Head Pulleys        | : | 750kg (max)               |
| Overall Dimensions  | : |                           |
| HR150W1             | : | 345(lg) x 226(h) x 126(w) |
| HR150W2             | : | 345(lg) x 226(h) x 126(w) |
| HR150W4             | : | 345(lg) x 226(h) x 156(w) |
| HR150W6             | : | 345(lg) x 226(h) x 186(w) |
| HR150W6H            | : | 195(lg) x 250(h) x 106(w) |

## ORDERING INFORMATION

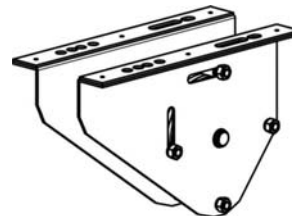
| MODEL/PART                        | PART NUMBER  |
|-----------------------------------|--------------|
| 150mm Loft Pulley for (1) 5mm SWR | JND-HR150W1  |
| 150mm Loft Pulley for (2) 5mm SWR | JND-HR150W2  |
| 150mm Loft Pulley for (4) 5mm SWR | JND-HR150W4  |
| 150mm Loft Pulley for (6) 5mm SWR | JND-HR150W6  |
| 150mm Head Pulley for (6) 5mm SWR | JND-HR150W6H |
| Pulley fixing clamp (snail)       | JND-MP457    |



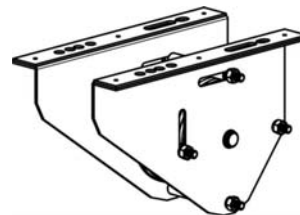
JND-HR150W1 & HR150W2



JND-HR150W4



JND-HR150W6



Jands Pty Ltd 40 Kent Road Mascot NSW 2020 Australia  
Phone (+61) 2 9582 0909 Fax (+61) 2 9582 0999 www.jands.com.au

Specifications subject to change without notice. Manufactured by Jands Pty Ltd ABN 45 001 187 837.  
Note: While all due care and attention has been taken in the preparation of this document, Jands Pty Ltd shall not be liable for any inaccuracies or omissions which may occur therein

150mm RIGGING PULLEYS

HR150 Pulleys

TSS JND-HR150-0511-02