

SB Series Field Plates 1.1

PLATES FOR SB SERIES
TERMINATION SYSTEM



DESCRIPTION

The Jands range of SB Series connector field plates is designed to complement the Jands SB Series surface and flush mount wall boxes. The connectors are positioned to allow space for engraved labels.

FEATURES

* Fits Jands SB Series wall boxes

* Accepts the following connectors/accessories:

- **AXR** Cannon: AXR-*-31, AXR-*-34; Alcatel: AC*FP, AC*MP; Neutrik: NC*FP
- **NCD** (Neutrik "D" type) Cannon: AXR-*-21, AXR-*-22; Alcatel: AC*FD, AC*MD; Neutrik: NC*FD, NC*MD, NL4MP (Speakon)
- **EP** Cannon/Alcatel: EP-*-13, EP-*-14; Neutrik: NL8MP, NL4MPR (Speakon)
- **BNC** Standard BNC insulated panel mount
- **B48** Burndy: 48-pin female panel UTG 2448SH (as used for 36 channel analogue dimmer racks and 20 pair audio multicores)

- **CA14** Cannon: CA/MS Series 14-pin female panel CA02COME20-27SB (as used for 12-channel analogue dimmer racks)
- **E56** EDAC/ELCO: 516-056 series 56-pin connectors
- **D15** Standard "D" type 15-pin
- **D25** Standard "D" type 25-pin
- **RJ45** Standard RJ45
- **DIN** Standard DIN
- **GPO** Clipsal standard GPO electrical accessories
- **SPK** Fits many popular 4-inch speakers
- **O** Blank plate

(Bold text above refers to part number e.g. **JND-SB-1AXR**)

* Custom combinations available on request

* Custom connector types available on request

OVERALL SPECIFICATIONS

Material: 1.6 mm sheet aluminium
 Finish: Anodised black, linished
 Dimensions: 1 unit - 127 (H)×84 (W)×1.6 (D)
 2 units - 127 (H)×148 (W)×1.6 (D)

ORDERING INFORMATION

• Part No: JND-SB-1AXR 	• Part No: JND-SB-2AXR 	• Part No: JND-SB-4AXR 	• Part No: JND-SB-1AXR/H 	• Part No: JND-SB-2AXR/H 	• Part No: JND-SB-4AXR/H
• Part No: JND-SB-1NCD 	• Part No: JND-SB-2NCD 	• Part No: JND-SB-4NCD 	• Part No: JND-SB-1NCD/H 	• Part No: JND-SB-2NCD/H 	• Part No: JND-SB-4NCD/H
• Part No: JND-SB-1EP 	• Part No: JND-SB-2EP 				
• Part No: JND-SB-1CA14 	• Part No: JND-SB-2CA14 	• Part No: JND-SB-1B48 	• Part No: JND-SB-2B48 	• Part No: JND-SB-1E56 	

PLATES FOR SB SERIES
TERMINATION SYSTEM

SB Series Field Plates 1.1

SB Series Field Plates 1.1

PLATES FOR SB SERIES
TERMINATION SYSTEM

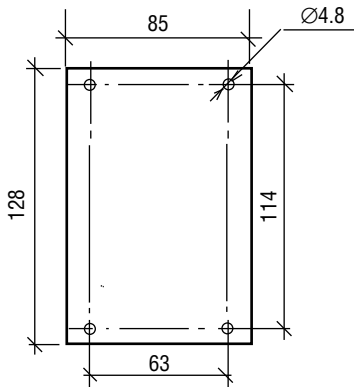


ARCHITECTS AND ENGINEERS SPECIFICATION

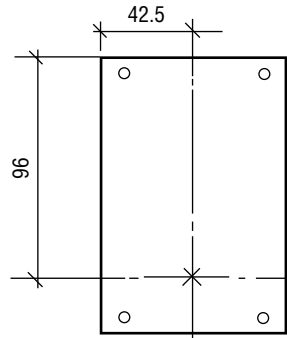
The connector field plate shall be made of 1.6mm aluminium, anodised black and finished. The one unit plate shall be 127mm high and 84mm wide. The two unit plate shall be 127mm high and 148mm

wide. The connector field plate shall be designed to suit the Jands range of SB Wall Boxes and the connector plate shall form part of the Jands SB Series Field Plates.

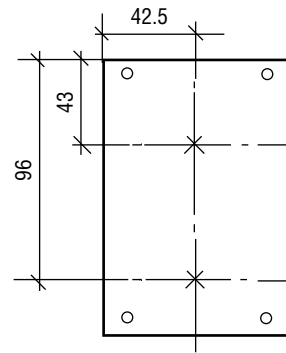
(UNIT: mm)



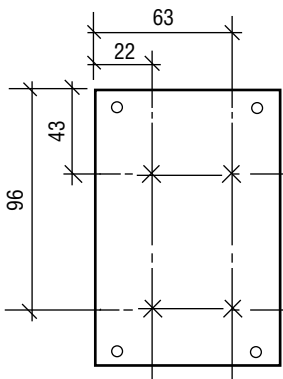
▲ Dimensions for one unit plate with four mounting holes.



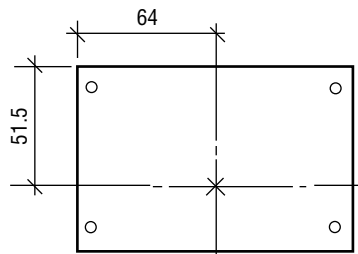
▲ Single connector on one unit plate for AXR, NCD, EP, B48 and CA14 types.



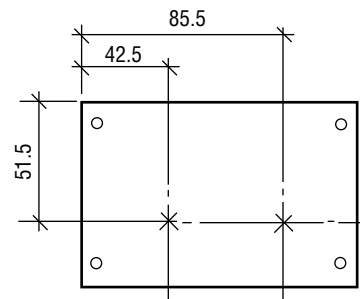
▲ Two connectors on one unit plate for AXR, NCD, EP, B48 and CA14 types.



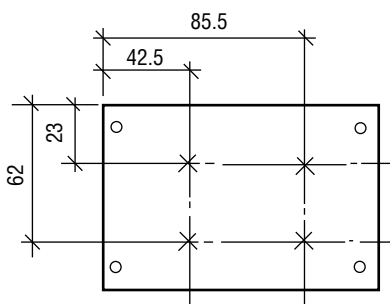
▲ Four connectors on one unit plate for AXR and NCD types.



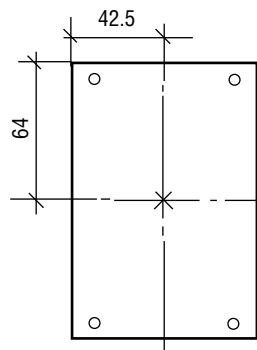
▲ Single connector on one unit horizontal plate for AXR and NCD types.



▲ Two connectors on one unit horizontal plate for AXR and NCD types.



▲ Four connectors on one unit horizontal plate for AXR and NCD types.



▲ Single connector on one unit plate for E56 type.

Jands Electronics Pty Ltd 40 Kent Road Mascot NSW 2020 Australia
Phone: (02) 9582 0909 Fax: (02) 9582 0999 Internet: jandsinfo@jands.com.au

Specifications subject to change without notice. Manufactured by Jands Electronics Pty Ltd ACN 001 187 837.
Note: While all due care has been taken in the preparation of this document, Jands Electronics shall not be liable for any inaccuracies or omissions which may occur herein.

PLATES FOR SB SERIES
TERMINATION SYSTEM

SB Series Field Plates 1.1

TSS-SB Plate1-9611-02

SB Series Field Plates 1.2

PLATES FOR SB SERIES
TERMINATION SYSTEM



DESCRIPTION

The Jands range of SB Series connector field plates is designed to complement the Jands SB Series surface and flush mount wall boxes. The connectors are positioned to allow space for engraved labels.

FEATURES

* Fits Jands SB Series wall boxes

* Accepts the following connectors/accessories:

- **AXR** Cannon: AXR-*-31, AXR-*-34; Alcatel: AC*FP, AC*MP; Neutrik: NC*FP
- **NCD** (Neutrik "D" type) Cannon: AXR-*-21, AXR-*-22; Alcatel: AC*FD, AC*MD; Neutrik: NC*FD, NC*MD, NL4MP (Speakon)
- **EP** Cannon/Alcatel: EP-*-13, EP-*-14; Neutrik: NL8MP, NL4MPR (Speakon)
- **BNC** Standard BNC insulated panel mount
- **B48** Burndy: 48-pin female panel UTG 2448SH (as used for 36 channel analogue dimmer racks and 20 pair audio multicores)

- **CA14** Cannon: CA/MS Series 14-pin female panel CA02COME20-27SB (as used for 12-channel analogue dimmer racks)
- **E56** EDAC/ELCO: 516-056 series 56-pin connectors
- **D15** Standard "D" type 15-pin
- **D25** Standard "D" type 25-pin
- **RJ45** Standard RJ45
- **DIN** Standard DIN
- **GPO** Clipsal standard GPO electrical accessories
- **SPK** Fits many popular 4-inch speakers
- **O** Blank plate

(Bold text above refers to part number e.g. **JND-SB-1AXR**)

* Custom combinations available on request

* Custom connector types available on request

OVERALL SPECIFICATIONS

Material: 1.6 mm sheet aluminium
 Finish: Anodised black, lished
 Dimensions: 1 unit - 127 (H)×84 (W)×1.6 (D)
 2 units - 127 (H)×148 (W)×1.6 (D)

ORDERING INFORMATION

• Part No: JND-SB-1BNC 	• Part No: JND-SB-2BNC 	• Part No: JND-SB-3BNC 	• Part No: JND-SB-4BNC 	• Part No: JND-SB-5BNC 	• Part No: JND-SB-5BNC+1D15
• Part No: JND-SB-1DIN 	• Part No: JND-SB-2DIN 	• Part No: JND-SB-1RJ45 	• Part No: JND-SB-2RJ45 		
• Part No: JND-SB-1D25 	• Part No: JND-SB-1RJ45+1D25 	• Part No: JND-SB-1BNC+1RJ45/H 			
• Part No: JND-SB-1AXR+2BNC 	• Part No: JND-SB-2AXR+1BNC 	• Part No: JND-SB-2AXR+1BNC/H 	• Part No: JND-SB-2AXR+2DIN 		
• Part No: JND-SB-O 	• Part No: JND-SB-1GPO 	• Part No: JND-SB-1SPK 			

PLATES FOR SB SERIES
TERMINATION SYSTEM

SB Series Field Plates 1.2

SB Series Field Plates 1.2

PLATES FOR SB SERIES TERMINATIONS SYSTEM

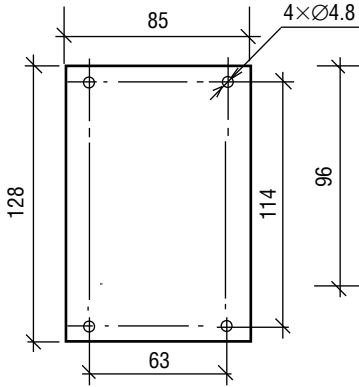


ARCHITECTS AND ENGINEERS SPECIFICATION

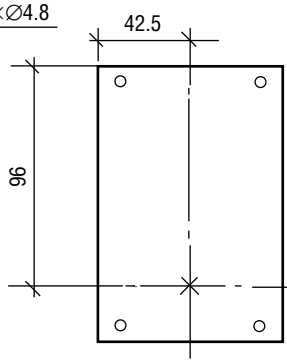
The connector field plate shall be made of 1.6mm aluminium, anodised black and finished. The one unit plate shall be 127mm high and 84mm wide. The two unit plate shall be 127mm high and 148mm wide.

The connector field plate shall be designed to suit the Jands range of SB Wall Boxes and the connector plate shall form part of the Jands SB Series Field Plates.

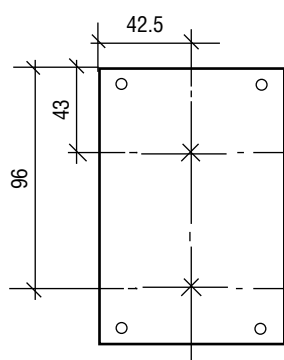
(UNIT: mm)



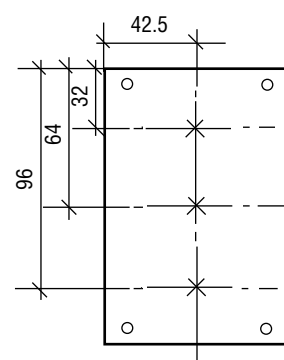
▲ Dimensions for one unit plate with four mounting holes.



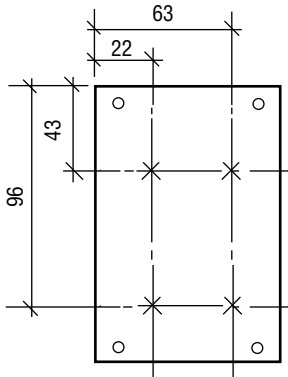
▲ Single connector on one unit plate for BNC, DIN, RJ45 and D25 types.



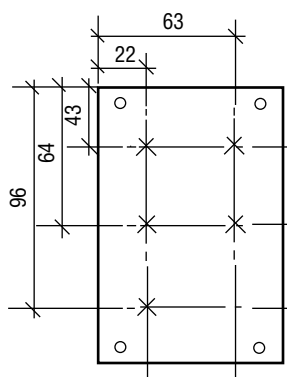
▲ Two connectors on one unit plate for BNC, DIN, RJ45, 1RJ45 +1D25 and D25 types.



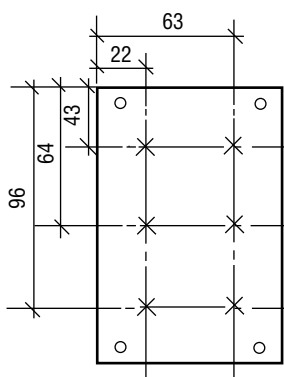
▲ Three connectors on one unit plate for BNC type.



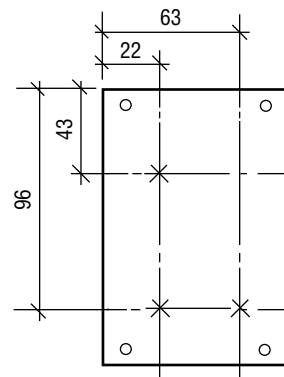
▲ Four connectors plate for BNC and 2AXR +2DIN types.



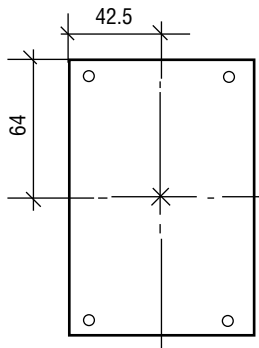
▲ Five connectors plate for BNC type.



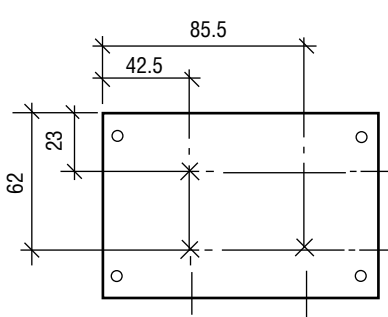
▲ Six connectors on one unit plate for 5BNC+1D15 types.



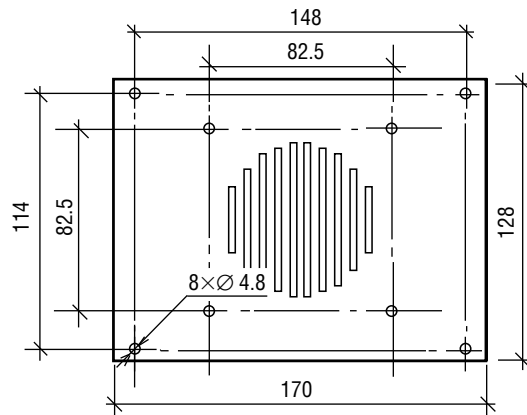
▲ Three connectors on one unit plate for 1AXR+2BNC and 2AXR+1BNC types.



▲ GPO plate.



▲ Three connectors on one unit horizontal plate for 2AXR+1BNC types.



▲ 4 inch speaker plate.

Jands Electronics Pty Ltd 40 Kent Road Mascot NSW 2020 Australia
 Phone: (02) 9582 0909 Fax: (02) 9582 0999 Internet: jandsinfo@jands.com.au

Specifications subject to change without notice. Manufactured by Jands Electronics Pty Ltd ACN 001 187 837.
 Note: While all due care has been taken in the preparation of this document, Jands Electronics shall not be liable for any inaccuracies or omissions which may occur herein.

PLATES FOR SB SERIES TERMINATIONS SYSTEM

SB Series Field Plates 1.2