



SINGLE/DUAL 19 PIN OUTLET BOX

19 PIN OUTLET BOX

Technical Specification Sheet

DESCRIPTION

The Jands JLXPS2SOCA dual 19 pin outlet box and the JLXPS1SOCA single 19 pin outlet box are designed for fixed wiring applications where permanently installed (building) electrical circuits are to be connected to Jands JLX Pro wired lighting bars via 19 pin multicore extension cables.

The JLXPS2SOCA is fitted with two (2) 19 pin socket connectors.

The JLXPS1SOCA is fitted with one (1) 19 pin socket connector.

Socket connectors are compatible with Socapex "419", Veam "VSC", Kupo "PLS-5219" and "WPS-5219".

The JLXPS2SOCA and JLXPS1SOCA are designed to be mounted on flat surfaces, typically walls or ceilings.

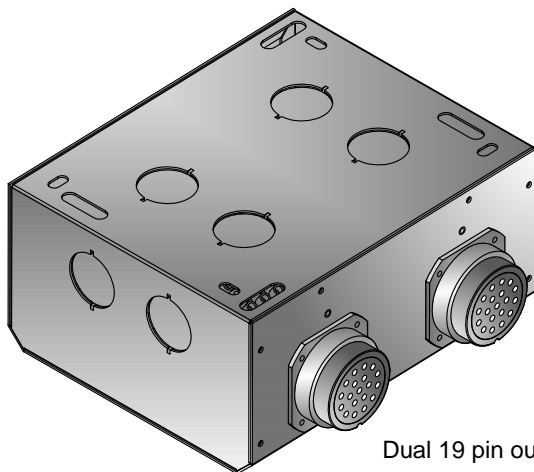
The JLXPS2SOCA and JLXPS1SOCA are suitable for use with both 10A and 20A circuits.

SPECIFICATIONS

Supply type	:	1 phase +N +E
Voltage	:	230/400V 50Hz
Current	:	20A / circuit (max)
Connector compatibility	:	Socapex "419"
	:	Veam "VSC"
	:	Kupo "PLS-5219"
	:	Kupo "WPS-5219"
Number of Circuits	:	12 (JLXPS2SOCA)
	:	6 (JLXPS1SOCA)
Number of Connectors	:	2 (JLXPS2SOCA)
	:	1 (JLXPS1SOCA)
Diversity Factor	:	0.7
Temperature range	:	0 °C min to 40 °C max
IP Rating	:	IP2X
I _{CP} (supply)	:	6kA
I _{CC} (output)	:	4.5kA
Dimensions (mm)	:	215H x 105D x 205W
Net/shipping weight	:	2.3 /2.7kg

FEATURES

- Twelve (12) x 20A circuits (JLXPS2SOCA)
- Six (6) x 20A circuits (JLXPS1SOCA)
- Two (2) x 20A 19 pin socket outlets (JLXPS2SOCA)
- Two (2) x 20A 19 pin socket outlets (JLXPS1SOCA)
- Two (2) 32mm gland entry knockouts on end
- Four (4) 32mm gland entry knockouts on back
- Reversible cover for left or right mounting
- Terminal blocks for connection of supply cables
- All steel construction



Dual 19 pin outlet shown

SUPPLIED ACCESSORIES

- Mounting Template

ORDERING INFORMATION

MODEL/PART	PART NUMBER
19 pin to 19 pin extension cable, 20A, 15m	JND-JLXPEX15S20
19 pin to 19 pin extension cable, 20A, 17.5m	JND-JLXPEX17S20
19 pin to 19 pin extension cable, 20A, 20m	JND-JLXPEX20S20
19 pin to 19 pin extension cable, 20A, 22.5m	JND-JLXPEX22S20
19 pin to 19 pin extension cable, 20A, 25m	JND-JLXPEX25S20
Wall/Ceiling mount pre-wired single 19 pin outlet	JND-JLXPS1SOCA
Wall/Ceiling mount pre-wired dual 19 pin outlet	JND-JLXPS2SOCA



SINGLE/DUAL 19 PIN OUTLET BOX

19 PIN OUTLET BOX

Technical Specification Sheet

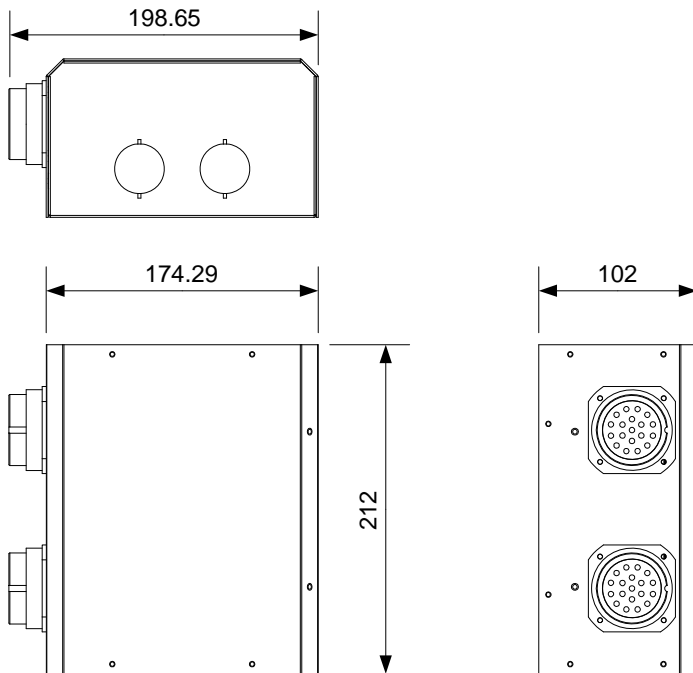
ARCHITECT & ENGINEER'S SPECIFICATION

Mechanical

The outlet box shall be designed for wall or ceiling mounting.

The outlet box shall be 205mm wide x 105mm deep x 215mm high.

The outlet box shall be constructed of 1.2 mm steel with all metal surfaces treated and finished in powder coat.



Electrical

The dual outlet box shall be able to handle twelve individual 20Amp single phase circuits, at a diversity of 70% with a voltage of 230/400 volts (nominal) phase-to-neutral/phase-to-phase and a supply frequency of 50Hz.

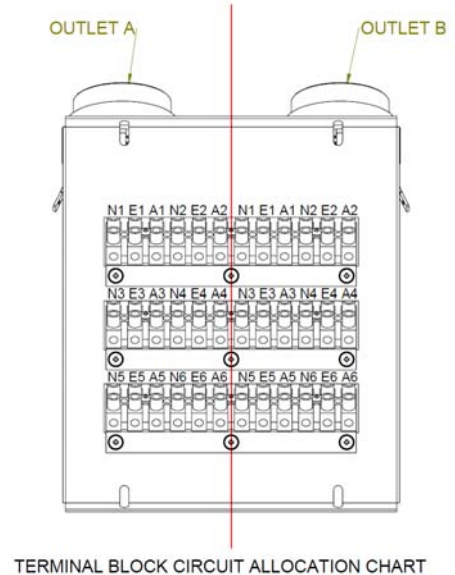
The single outlet box shall be able to handle six individual 20Amp single phase circuits, at a diversity of 70% with a voltage of 230/400 volts (nominal) phase-to-neutral/phase-to-phase and a supply frequency of 50Hz.

The outlet box shall be suitable for connection to a supply prospective fault current (I_{cp}) of 6kA and a load conditional fault current (I_{cc}) of 4.5kA.

The dual outlet box shall be fitted with two (2) 19 pin female sockets compatible with Socapex "419", Veam "VSC", Kupo "PLS-5219" and "WPS-5219" connectors.

The single outlet box shall be fitted with one (1) 19 pin female sockets compatible with Socapex "419", Veam "VSC", Kupo "PLS-5219" and "WPS-5219" connectors.

The unit shall have internal terminal blocks for the connection of the supply circuits.



The outlet box shall be declared as a *Fixed Assembly* complying with AS3439.1/2002

The dual outlet box shall be the JANDS JLXPS2SOCA.

The single outlet box shall be the JANDS JLXPS1SOCA.

* All trademarks used are properties of their respective owners.