



DESCRIPTION

The Jands curtain runner is a black nylon tyred ball bearing type, silent in operation.

Each runner can hold a maximum of 12kgs. The two halves of the runner clip together to enable initial assembly and later replacement, to be carried out with ease.

The runner is designed to be used with either Jands JH heavy duty tracking or JT medium duty tracking. (Refer Jands JH/JT curtain track Technical Specification Sheets)

Runners are available in boxes of 50 units.

ARCHITECT & ENGINEER'S SPECIFICATION

The runner assembly shall be of two identical parts. These parts shall be injection moulded from black glass reinforced nylon with integral bearing and nylon wheel. The bearing shall be a roller type bearing.

The wheel shall be 19mm in diameter fitted to "SJ" type bearings.

The runner shall snap together as two identical parts and be removable from the track by opening the snap action part.

The attachment hole in the runner shall be 10mm in diameter for the attachment of curtains and cloths.

OVERALL SPECIFICATIONS

Working Load Limit (WLL) :	12kg
Dimensions :	50mm x 25mm x 20mm
Colour :	Black
Material :	Nylon
Bearing Type :	Ball bearing

The runner shall be suitable for use with Jands JH and JT type extruded aluminium track and accessories.

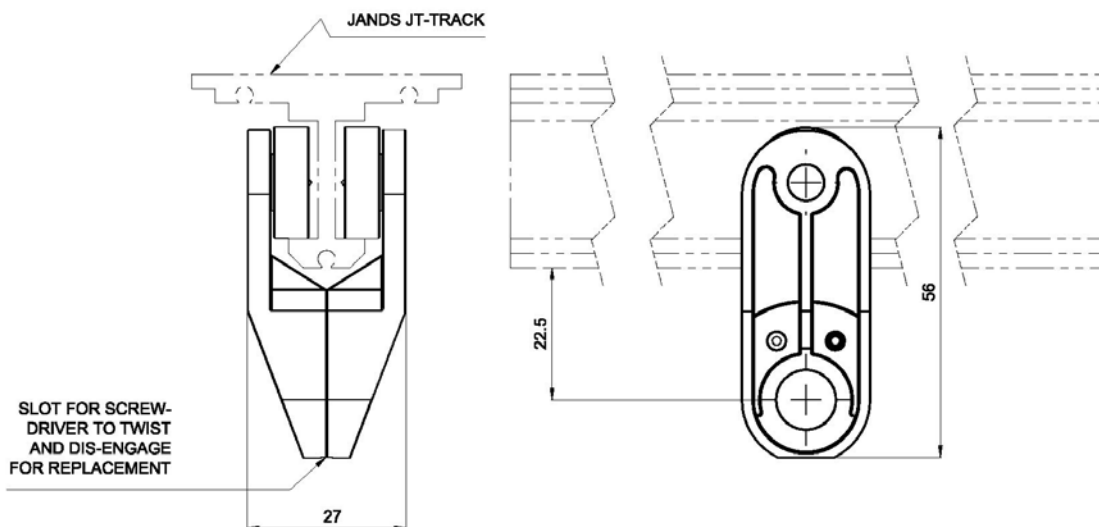
The runner shall be the Jands Curtain Runner model JND-MP 402.

FEATURES

- Quiet operation
- WLL 12kg
- Field serviceable

ORDERING INFORMATION

<u>MODEL/PART</u>	<u>PART NUMBER</u>
Curtain Runner	JND-MP402
Curtain Runner—Box of 50	JND-MP402-50



TSS_JND-MP402-0912-04