

RM-PATCH

RACK-MOUNT PATCH PANEL SYSTEM



DESCRIPTION

The Jands RM Patch (RM-PATCH) is a portable/rack mounting patch system that provides both series (2 x 110V) and parallel (1 x 240V) patching for 12 input (dimmed) circuits through to 24 output circuits. An additional 6 input circuits provide 240V circuits for the powering of effects or parallel 240V circuits. Inputs to the RM Patch are via piggy back plugs and the outputs via either Wieland (4 circuits) or Socapex (6 circuits) multipin connectors.

All series/parallel patching is made via front panel mounted 3 pin sockets and short captive leads. The 18 x captive piggy back input plugs serve to connect the RM Patch to adjacent dimmer rack(s). The Jands RM Patch can be fitted into a Jands 3RU ROOBAR, making it a particularly useful complement to any existing dimmer racks housed in a similar manner.

The Jands RM Patch can be used with any dimmer rack fitted with standard GPO outputs, providing a highly cost-effective, light weight solution for drive-way hire applications and other situations requiring multicore patching facilities. Additional patching capacity can be provided by adding another RM Patch and interconnecting between patches as required.

Applications requiring dimming and patching facilities can now be easily accommodated without it being necessary to purchase additional dimmer racks or, alternatively, to supply patching facilities when only simple dimming facilities are required by the end user.

FEATURES

- * Choice of Wieland 4 way or Socapex 6 way output connectors
- * 18 x Piggy back plug input connections (of sufficient length to reach adjacent 2 x 3RU dimmer racks)
- * 10A/circuit capacity
- * 12 x Channels of series patching, each channel fitted with 2 x sockets (2x110V)/channel (24 sockets total)
- * 12 x Channels of parallel patching, each channel fitted with 1 x socket (240V)/channel (12 sockets total)
- * 6 x AUX power outlets, each fitted with 1 x socket (240V), (6 sockets total)
- * Durable construction
- * Velcro cable bag management system
- * Light weight
- * Compatible with any standard GPO output dimmer rack
- * Rack mounting
- * Compatible with other equipment fitted in Jands ROOBAR frames, including dimmer racks and power distribution systems.

OVERALL SPECIFICATIONS

Channels:	18 input to 24 outputs via series / parallel patch using Wieland GST18 connectors
Power rating:	10A max per circuit
Input Connectors:	Total 18 x moulded Australian piggy back plugs equivalent to Clipsal 463 on 500mm captive flying leads
Patch:	12 circuits with series and direct connection via 2 x white (series) and 1 x black (direct) Wieland GST18 female sockets 6 circuits with direct connection only, via black Wieland GST18 female sockets 24 x Wieland GST18 male plugs on 500mm captive flying leads
Output Connectors:	6 x Wieland 10 pin (4 circuit) or 4 x Socapex 19 pin (6 circuit).
Dimensions:	482 (wide) x 400 (deep) x 135 (high), flying leads not included
Net/Shipping weight:	12/15kg

SUPPLIED ACCESSORIES

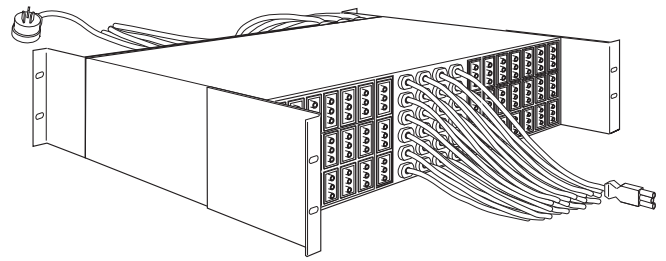
Velcro cable bag management system

OPTIONS

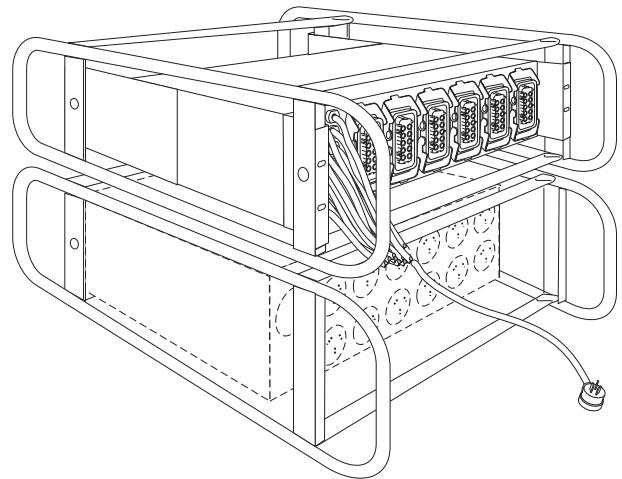
- Multipin output connectors:
 - * 6 x Wieland multipin connectors (4 channel)
 - * 4 x Socapex multipin connectors (6 channel)
- Roobar 3RU

ORDERING INFORMATION

MODEL/PART	PART NO.
• RM-PATCH (Wieland 4 circuit)	JND-RMPATCH-6W10
• RM-PATCH (Socapex 6 circuit)	JND-RMPATCH-4S19



Front view of RM Patch showing patch field



Back view of RM Patch showing multipin outputs and captive leads (Optional Roobar shown)

RACK-MOUNT PATCH PANEL SYSTEM

RM-PATCH

RM-PATCH

RACK-MOUNT PATCH PANEL SYSTEM



ELECTRICAL

The RM-Patch shall operate with a dimmer voltage of up to 240 volts ac, with a maximum current rating of 10 amps per circuit. The RM-Patch shall be supplied with twelve (12) one metre dimmer input cables and six (6) one metre auxiliary input cables, all fitted with an Australian 3-pin piggyback plug. Each input circuit shall have a black Wieland GST18 socket for connecting to 240V lamps, and two (2) white Wieland GST18 sockets wired in series to connect two 120V lamps. Any input circuit shall be patchable to any output circuit via a captive 0.5 metre cable fitted with Wieland GST18 plug. The six (6) auxillary inputs shall provide the means to patch several 240V lamps to a single dimmer channel. The RM-Patch shall be supplied with six (6) four-circuit 10-pin Wieland sockets or four (4) six-circuit 19-pin Socapex sockets for output to lighting multicore cables.

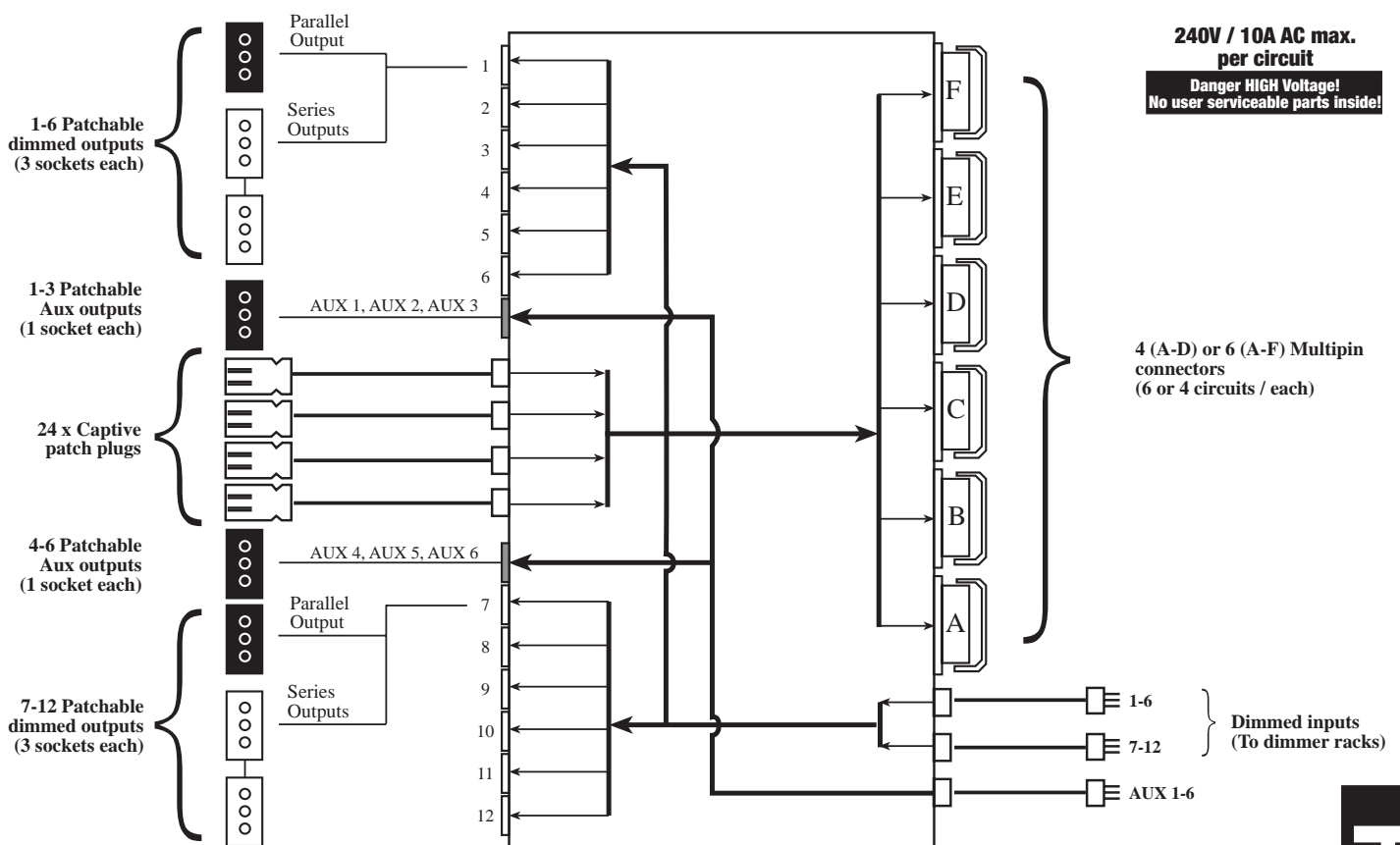
MECHANICAL

- * The RM-Patch shall be designed to mount in a Jands Roobar or a standard 19 inch equipment rack.
- * The RM-Patch shall be 482mm wide x 250mm deep x 132mm high (excluding connectors and cables plus rack mount brackets).
- * The RM-Patch shall be constructed of sheet steel, and shall be provided with a removable lid for access to internal wiring. All metal surfaces shall be properly treated and finished in powder coat.
- * The RM-Patch shall have front and rear rack mounting ears to ensure stability during transit and in operation.
- * The front and rear panels shall be recessed to afford some protection to all connectors and cables.
- * A wiring schematic shall be provided on lid of the unit. The RM-Patch shall provide a means of storing excess or unused patch cables.
- * The patch rack shall be the Jands RM-Patch.



ACN 001 187 837

Manufactured in Australia by Jands Electronics Pty Ltd



RACK-MOUNT PATCH PANEL SYSTEM

RM-PATCH

TSS-RM-PATCH-0009-02