



## DESCRIPTION

The Jands HR230 Rigging Pulley system is a series of pulleys and sheaves for use in theatrical and other applications using 6mm steel wire rope.

The sheaves are machined from structural nylon and press fitted with sealed-for-life deep-groove ball bearings.

Shafts are 25mm solid steel.

Loft pulley sides are fabricated from 3mm cold rolled steel, with mounting flanges reinforced to 6mm.

Head pulley sides are fabricated from 5mm cold rolled steel.

HR230 pulleys are fitted with two (2) adjustable rope keepers.

All pulleys are finished in a durable black powder coat.

HR230 loft pulleys feature a pattern of holes and slots in the mounting flanges to permit fixing (with Jands MP457 snail clamps) to the majority of structural steel sections without drilling or modification to the loft pulley flange.

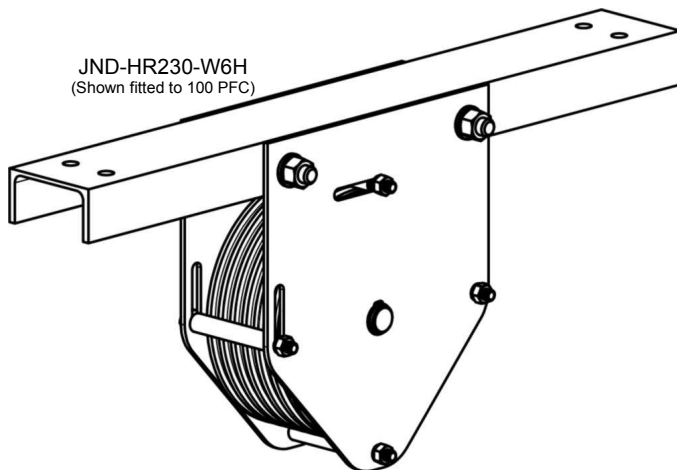
HR230 head pulleys are designed to bolt to a structural steel section (not included) which is attached with MP457 clamps to the structural head steels.

Loft pulleys have a Working Load Limit of 200kg.

Head pulleys have a Working Load Limit of (up to) 750kg (Depending on the design of the head steel attachment)

## FEATURES

- Structural black nylon sheave
- Solid steel shaft
- Sealed bearings
- Reinforced mounting flanges (head pulleys)
- Adjustable rope keepers
- Universal mounting pattern requires no drilling
- Easy fixing using Jands MP457 snail clamps
- Working Load Limit of 200kg (lofts) & 750kg (heads)



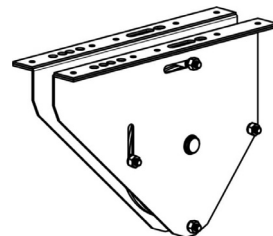
## OVERALL SPECIFICATIONS

Sheave Diameter	:	230mm
Wire Rope Diameter	:	6mm
Shaft Diameter	:	25mm
Sheave Material	:	Structural nylon
Side Plates (Lofts)	:	3mm cold rolled steel
Side Plates (Heads)	:	5mm cold rolled steel
Mounting Flange	:	2 x 3mm cold rolled steel
Steel finish	:	Powder coat black
Sheave Colour	:	Black
Working Load Limit	:	
Loft Pulleys	:	200kg
Head Pulleys	:	750kg (max)
Overall Dimensions	:	
HR230-W1	:	425(lg) x 306(h) x 126(w)
HR230-W2	:	425(lg) x 306(h) x 126(w)
HR230-W4	:	425(lg) x 306(h) x 156(w)
HR230-W6	:	425(lg) x 306(h) x 186(w)
HR230-W6H	:	280(lg) x 330(h) x 110(w)

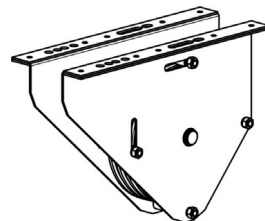
## ORDERING INFORMATION

MODEL/PART	PART NUMBER
230mm Loft Pulley for (1) 6mm SWR	JND-HR230-W1
230mm Loft Pulley for (2) 6mm SWR	JND-HR230-W2
230mm Loft Pulley for (4) 6mm SWR	JND-HR230-W4
230mm Loft Pulley for (6) 6mm SWR	JND-HR230-W6
230mm Head Pulley for (6) 6mm SWR	JND-HR230-W6H
Pulley fixing clamp (snail)	JND-MP457

JND-HR230-W1 & HR230-W2



JND-HR230-W4



JND-HR230-W6

