



SB SERIES WALL BOXES

WALL BOXES FOR SB SERIES TERMINATION SYSTEMS

Technical Specification Sheet

DESCRIPTION

The Jands range of SB series wall boxes is designed for applications requiring a high quality, durable cable termination system. Surface boxes are available in five sizes to accommodate from one to five standard size SB field plates. Plates are available to suit AXR, BNC, Neutrik D and other styles of connectors (please refer to the SB Series Plates Technical Specification Sheet for further information).

FEATURES

- Surface mounting boxes
- Rugged all steel construction
- Reinforced safety edges
- Designed to accommodate Jands SB Series Field Plates
- Allows installers to "mix and match" different connector plates
- Custom sizes available on application

OVERALL SPECIFICATIONS

Material: 1.2 mm zinc seal steel
Finish: Anodised black

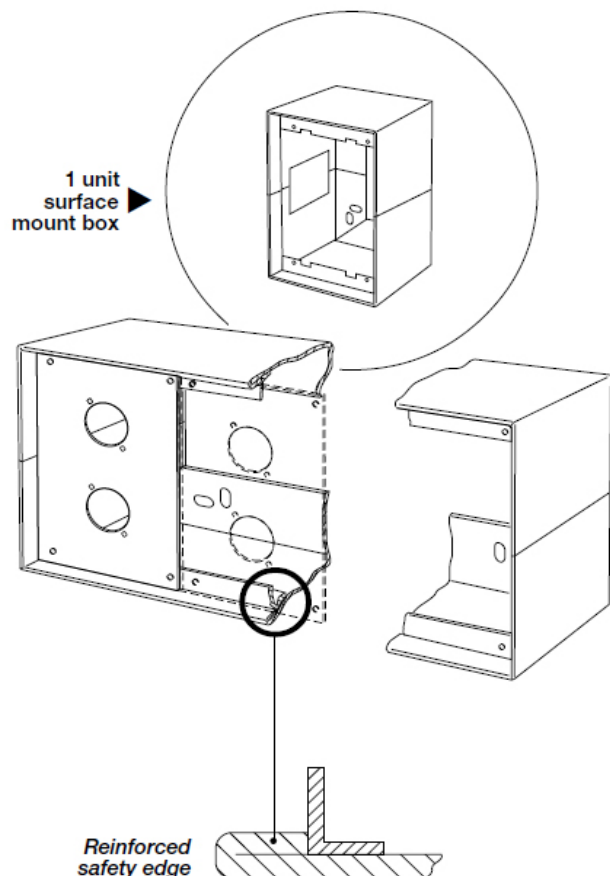
Dimensions:

TYPE	SURFACE MOUNT (mm)
• 1 Unit	90 (length)
• 2 Unit	175 (length)
• 3 Unit	260 (length)
• 4 Unit	345 (length)
• 5 Unit	430 (length)

Height: 133 mm (surface)
Depth: 75 mm

ORDERING INFORMATION

TYPE	PART NO.
• 1 unit surface mount box	JND-SB-1U-S
• 2 unit surface mount box	JND-SB-2U-S
• 3 unit surface mount box	JND-SB-3U-S
• 4 unit surface mount box	JND-SB-4U-S
• 5 unit surface mount box	JND-SB-5U-S
• M4 pan head screws (qty 100/ each package)	JND-SB-M4/100



▲ Surface mount SB Series Wall Box

Jands Pty Ltd 40 Kent Road Mascot NSW 2020 Australia
Phone +61 2 9582 0909 Fax +61 2 9582 0999 www.jands.com.au



SB SERIES WALL BOXES

WALL BOXES FOR SB SERIES TERMINATION SYSTEMS

Technical Specification Sheet

ARCHITECT & ENGINEER'S SPECIFICATION

The termination system shall consist of matching steel wall boxes and aluminium plates.

All surface mount boxes shall be available in a range of sizes from one to five units wide, and must be able to accommodate one to five connection plates accordingly.

The wall box shall be sturdily constructed and feature slotted mounting holes and reinforced safety edges.

The boxes shall be finished anodised black.

The surface mount boxes shall be 133mm(h) x 75mm(d) and 1~5 units wide*.

The termination system shall be the Jands SB Series Termination System.

* SB Series Wall Boxes width:

TYPE	SURFACE MOUNT
• 1 Unit	90 mm
• 2 Unit	175 mm
• 3 Unit	260 mm
• 4 Unit	345 mm
• 5 Unit	430 mm

